

Type N F/F Bulkhead Coaxial RF Surge Protector, 698MHz - 2.7GHz, DC Block, 500W, IP67, .005uJ, 40kA, Filter



TSX-NFF

Features

- Surge current of 40kA
- Max Power 500W
- Frequency range from 698 MHz to 2700 MHz
- Waterproof IP67 rated
- N-type Female connectors
- DC Block
- VSWR <1.1:1
- Low insertion loss
- CE & RoHS compliant
- Bidirectional

Applications

- Cellular communication systems
- Public safety systems
- Emergency response systems
- Industrial Communications

Description

RF surge protector (also known as lightning arrester) TSX-NFF from PolyPhaser utilizing a patented spiral inductor design enables an almost instantaneous response to a lightning surge to protect critical hardware while maintaining the RF performance. This RF surge protector component is manufactured in a coaxial in-line design with wide operating frequency range. All PolyPhaser RF surge protector products are available in stock with same day shipping.

Electrical Specifications

Description	Surge Protector Type DC Handling		Surge Filter DC Block		Units
	Minimum	Typical	Maximum		
Frequency Range	0.698		2.7		GHz
Impedance		50			Ohms
VSWR			1.1:1		
Insertion Loss			0.1		dB
Input Power, CW			500		Watts
500W @ 920MHz					
750W @ 50°C					
Surge Current			40		kA
IEC 61000-4-5 8/20µs WAVEFORM					
Throughput Energy			5		nJ
FOR 3kA @ 8/20µs WAVEFORM					

Click the following link (or enter part number in "SEARCH" on website) to obtain additional part information including price, inventory and certifications:
[Type N F/F Bulkhead Coaxial RF Surge Protector, 698MHz - 2.7GHz, DC Block, 500W, IP67, .005uJ, 40kA, Filter TSX-NFF](#)

Type N F/F Bulkhead Coaxial RF Surge Protector, 698MHz - 2.7GHz, DC Block, 500W, IP67, .005uJ, 40kA, Filter



TSX-NFF

Mechanical Specifications

Size

Length	3.61 in [91.69 mm]
Width/Diameter	1.18 in [29.97 mm]
Weight	0.55 lbs [249.48 g]

Configuration

Input Connector	N Female
Output Connector	N Female

Environmental Specifications

Temperature

Operating Range	-50 to +85 deg C
-----------------	------------------

Ingress Protection (IP) Rating

IP67

Vibration

1G @ 5Hz to 100Hz

Compliance Certifications

RoHS

CE

Plotted and Other Data

Notes:

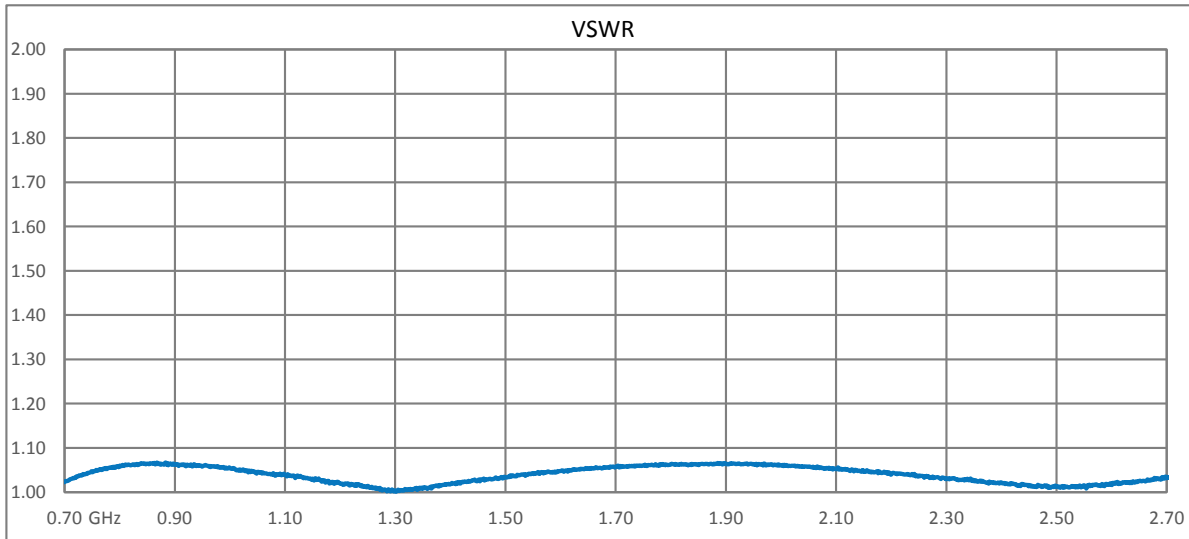
Click the following link (or enter part number in "SEARCH" on website) to obtain additional part information including price, inventory and certifications:
[Type N F/F Bulkhead Coaxial RF Surge Protector, 698MHz - 2.7GHz, DC Block, 500W, IP67, .005uJ, 40kA, Filter TSX-NFF](#)

Type N F/F Bulkhead Coaxial RF Surge Protector, 698MHz - 2.7GHz, DC Block, 500W, IP67, .005uJ, 40kA, Filter



TSX-NFF

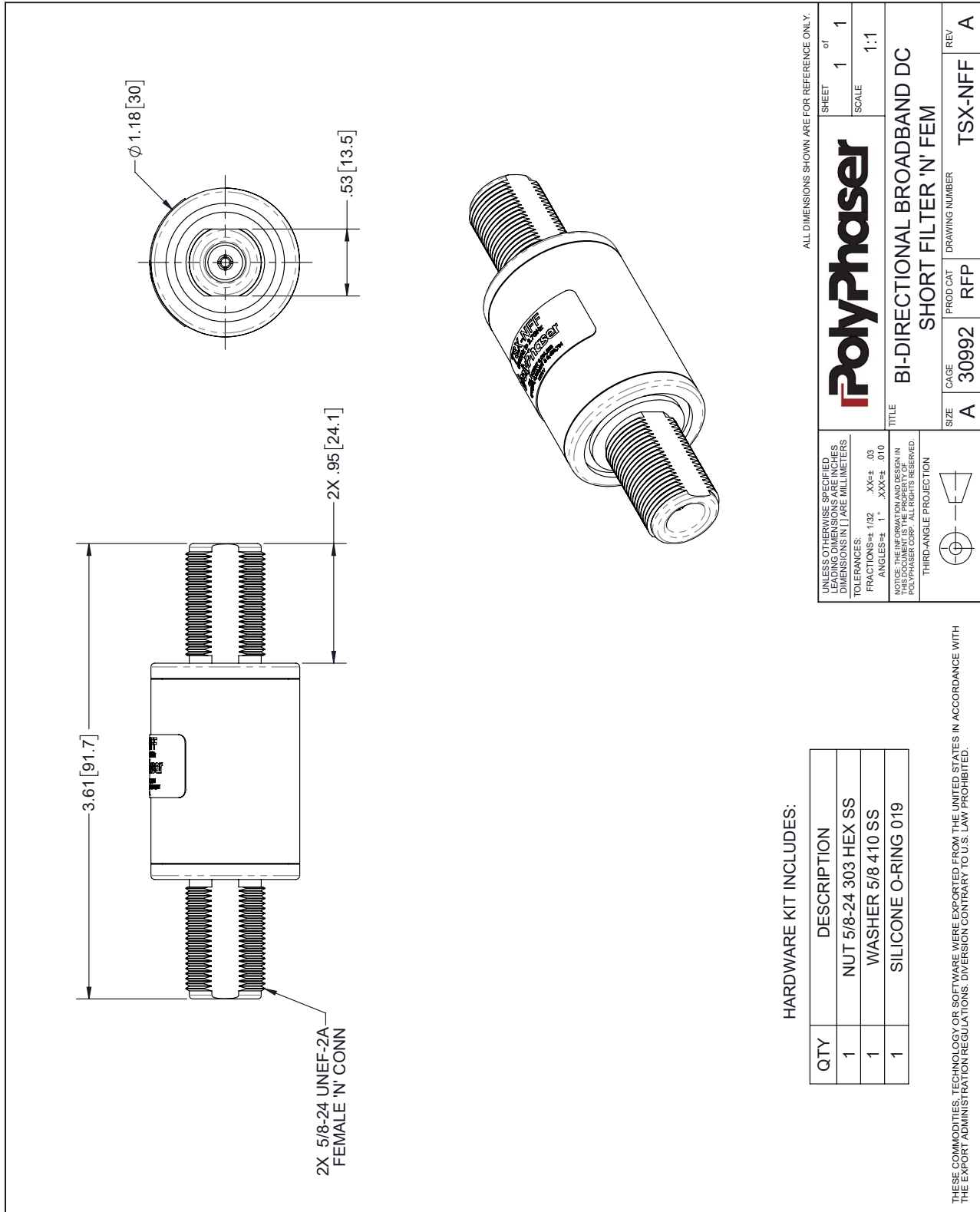
Typical Performance Data



Click the following link (or enter part number in "SEARCH" on website) to obtain additional part information including price, inventory and certifications:
[Type N F/F Bulkhead Coaxial RF Surge Protector, 698MHz - 2.7GHz, DC Block, 500W, IP67, .005uJ, 40kA, Filter TSX-NFF](#)

Type N F/F Bulkhead Coaxial RF Surge Protector, 698MHz - 2.7GHz,
 DC Block, 500W, IP67, .005uJ, 40kA, Filter

TSX-NFF CAD Drawing



HARDWARE KIT INCLUDES:

QTY	DESCRIPTION
1	NUT 5/8-24 303 HEX SS
1	WASHER 5/8 410 SS
1	SILICONE O-RING 019

THESE COMMODITIES, TECHNOLOGY OR SOFTWARE WERE EXPORTED FROM THE UNITED STATES IN ACCORDANCE WITH THE EXPORT ADMINISTRATION REGULATIONS. DIVERSION CONTRARY TO U.S. LAW PROHIBITED.

ALL DIMENSIONS SHOWN ARE FOR REFERENCE ONLY.

UNLESS OTHERWISE SPECIFIED LEADING DIMENSIONS ARE IN INCHES DIMENSIONS IN [] ARE MILLIMETERS		SHEET	1	of	1
TOLERANCES:		SCALE			
FRACTIONS ± 1/32 .XXF ± .03		1:1			
ANGLES ± 1° .XXX ± .010					
THIRD-ANGLE PROJECTION					
PolyPhaser BI-DIRECTIONAL BROADBAND DC SHORT FILTER 'N' FEM					
SIZE	CAGE	PROD CAT	DRAWING NUMBER	REV	
A	30992	RFP	TSX-NFF	A	